

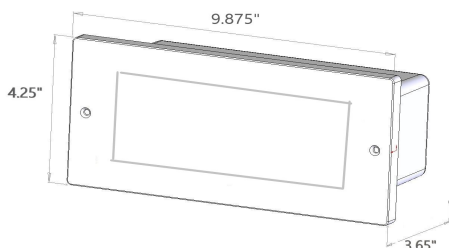


LF100 APPLICATIONS

**ACCENT FOR LANDSCAPE ELEMENTS INCLUDING VEGETATION,
ARCHITECTURAL, WALL WASHING AND STATUARY**

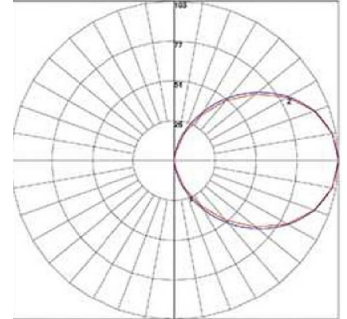
FEATURES

- ADJUSTABLE MOUNT**
- FILTER OPTIONS**
- DIMMABLE**
- ADJUSTABLE CUTOFF OPTIONS**
- TRIPLE PROTECTIVE COATING**
- CAST ALUMINUM HOUSING**
- ETL LISTED WET LOCATION**
- 61 MONTH WARRANTY**

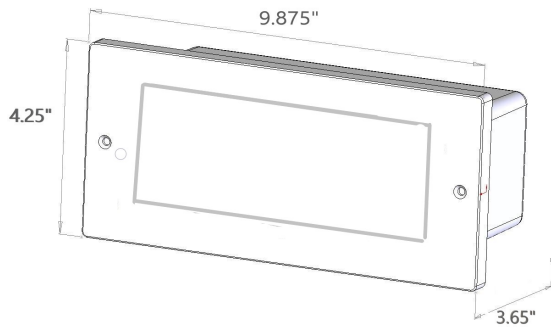


Specifications

Light Source	High Brightness LED
LED Life	70,000 hour average
Input Voltage	120-277VAC or 12-24VAC/DC
Power Consumption	7 to 10 Watts
Color Temperature	2700k,3000k,3500k,4000k,5000K
CRI	90 Typical
Lumen Output	500-1000 Lumens (option dependent)
Lens	Scratch Resistant Clear Acrylic
Material	Cast Aluminum
Fasteners	Stainless Steel
Dimensions	9.875" x 4.25" x 3.65"
Weight	4 lb.



Dimensions



Ordering Guide

	COLOR TEMP	INPUT VOLTAGE	WATTAGE	FINISH	FILTER	DIM	INSTALL CONDITION
SL100							
	2700K 3000K 3500K 4000K 5000K	120/277 VAC 12- 24 VDC	7 W 10W	BRONZE BLACK WHITE OTHER (RAL) NATURAL	NONE SOFT FOCUS	NONE 0-10 V OTHER	POWER POST CONCRETE BASE MOUNT PLATE