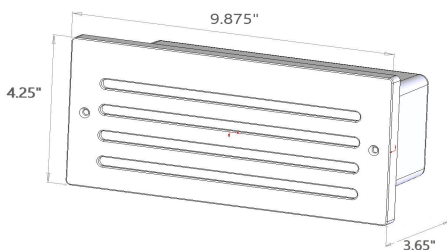


SL100 APPLICATIONS

**STEP LIGHTING - PATH LIGHTING - EGRESS LIGHTING
HORIZONTAL OR VERTICAL MOUNT**

FEATURES

- MULTIPLE TRIM OPTIONS**
- DIMMABLE**
- CAST ALUMINUM HOUSING**
- ETL LISTED WET LOCATION**
- 61 MONTH WARRANTY**

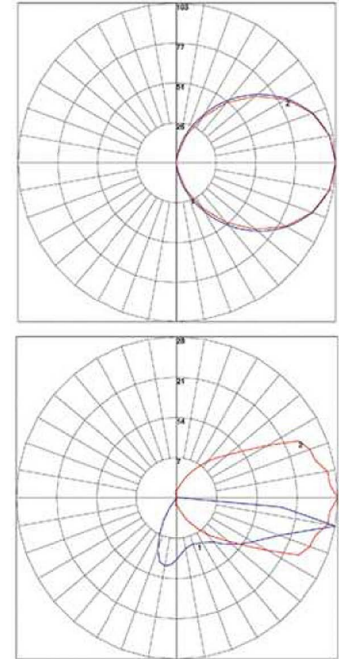


UL1598/8750/1598C
SA C22.2#250.0C

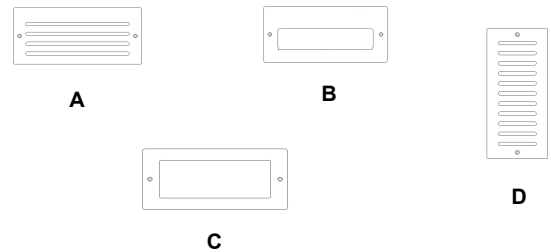
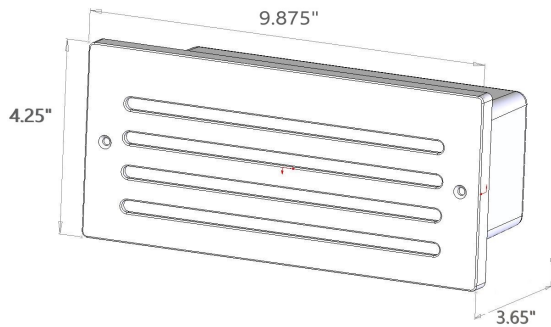


Specifications

Light Source	High Brightness LED
LED Life	70,000 hour average
Input Voltage	120-277VAC or 12-24VAC/DC
Power Consumption	7 to 10 Watts
Color Temperature	2700k,3000k,3500k,4000k
CRI	90 Typical
Lumen Output	50-850 Lumens (trim configuration dependent)
Lens	Scratch Resistant Clear Acrylic
Material	Cast Aluminum
Fasteners	Stainless Steel
Dimensions	9.875" x 4.25" x 3.65"
Weight	4 lb.
Operating Temp	-31f to 122f
Listings	ETL Listed to UL Standard 2108, CSA C22.2 No. 9.0



Dimensions



FACEPLATE STYLES

Ordering Guide

	COLOR TEMP	FACEPLATE	FINISH	INPUT VOLTAGE	WATTAGE	DIM	WALL CONDITION
SL100							
	2700K 3000K 3500K 4000K 5000K	A-HORZ B-HORZ C-HORZ/VERT D-VERT	BRONZE BLACK WHITE OTHER (RAL) NATURAL	120/277 VAC 12-24 VDC 12-24 VAC	7 W 10W	NONE 0-10 V OTHER	STUD CONCRETE MASONRY