

The AXIS-TIC LED

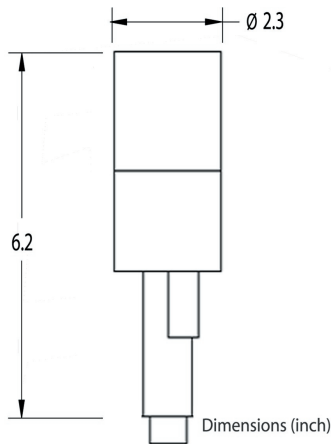
**APPLICATIONS:
Landscape Tree
Path Lighting Sign
Illumination
Architectural Wall
Wash & Accent**

**Multiple Beam
Spread Options**

Low Voltage

**ETL Listed Wet
Location**

61 Month Warranty



COMPATIBLE PRODUCTS

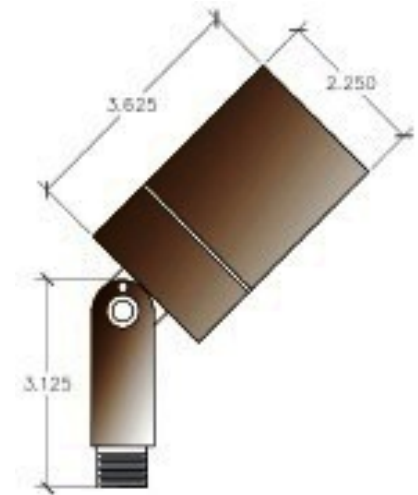
- TR100 TREE RING
- ADJUSTABLE AXIS ARM
- LANDSCAPE AXIS ARM
- AXIS-TIC JB1
- AXIS ANGLE SHIELD
- TREE STRAP MOUNTING
- MOUNT POST
- MOUNT CANOPY

Specifications

| | |
|-----------------------|--|
| Light Source | High-brightness LED (520 lumens @ 3000k) |
| LED Life (L70) | 50,000 hours average* |
| Input Voltage | 11 - 15 VDC |
| Power Consumption | 10 Watts |
| Color Temperature | 3000 or 4000k |
| CRI | 90 Typical |
| Optic | Interchangeable TIR Lens |
| Material | 6061-T6 Aluminum |
| Fasteners | Stainless steel hardware |
| Standard Mounting | PVC Post and ABS Cap |
| Operating Temperature | -31F to 122F (-35C to 50C) |
| Listings | ETL listed to UL Standards 1838 and 8750 CSA C22.2 No. 250.7-07 |



*LED life is defined as the time to 70% lumen maintenance (L70)



Ordering Guide

Dimensions

| | COLOR TEMP | OPTIC | FINISH | INPUT VOLTAGE | WATTAGE | OPTICS FILTER | INSTALL CONDITION |
|-----------------|---|--------------------------|--|------------------|---------|----------------------------|--|
| AXIS-TIC | 2700K 3000K 3500K 4000K 5000K | NARROW MEDIUM WIDE | BRONZE BLACK WHITE OTHER (RAL) NATURAL | 12 VDC | 10W | CLEAR SOFT FOCUS HEX | POWER POST CONCRETE BASE MOUNT PLATE |

*For LED array replacement please order by kelvin temperature. Example: [Axis-TIC array-3000k](#)