

The AXIS-TIC Sconce

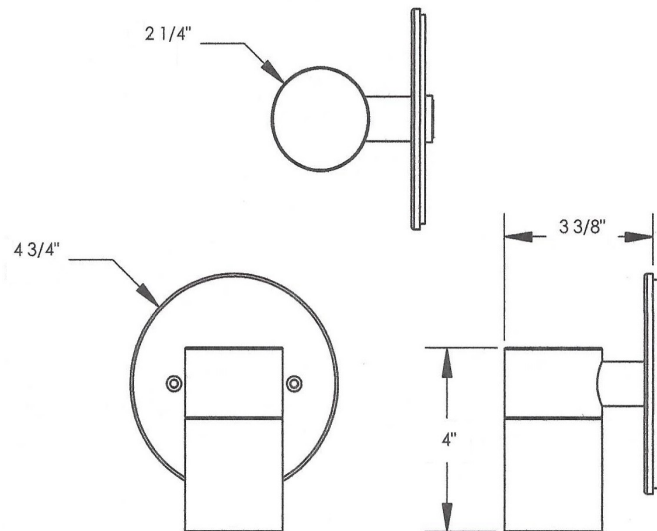
**APPLICATIONS:
Wall Mount
Up or Down**

**Multiple Beam
Spread Options**

Low Voltage

**Listed Wet
Location**

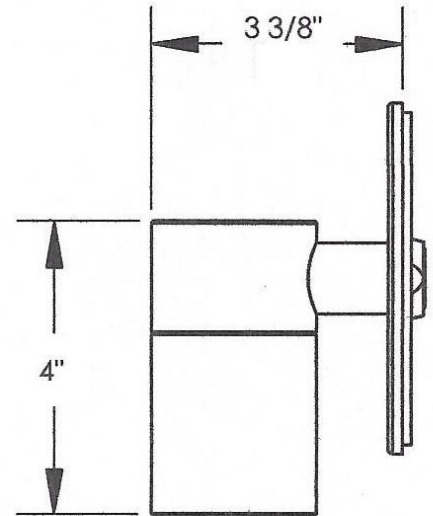
61 Month Warranty



Specifications

Light Source	High-brightness LED (520 lumens @ 3000k)
LED Life (L70)	50,000 hours average*
Input Voltage	11 - 15 VDC
Power Consumption	10 Watts
Color Temperature	3000 or 4000k
CRI	90 Typical
Optic	Interchangeable TIR Lens
Material	6061-T6 Aluminum
Fasteners	Stainless steel hardware
Standard Mounting	PVC Post and ABS Cap
Operating Temperature	-31F to 122F (-35C to 50C)

*LED life is defined as the time to 70% lumen maintenance (L70)



Ordering Guide

Dimensions

	COLOR TEMP	OPTIC	FINISH	INPUT VOLTAGE	OPTICS FILTER	INSTALL CONDITION
SL100				12 VDC		
	2700K 3000K 3500K 4000K 5000K	NARROW MEDIUM WIDE	BRONZE BLACK WHITE OTHER (RAL) NATURAL		CLEAR SOFT FOCUS HEX	WALL MOUNT

*For LED array replacement please order by kelvin temperature. Example: [Axis-TIC array-3000k](#)