

The AXIS-ARM

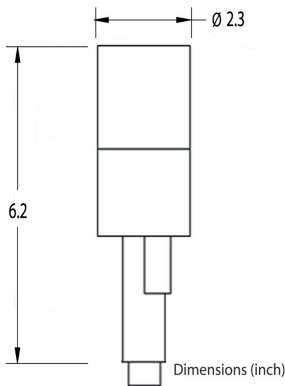
APPLICATIONS:
Sign Illumination
Architectural Wall Wash
& Accent

For use with Axis-TIC

**Power Supply may be
mounted in canopy or
remotely as required**

1/2" NPS fixture mount

61 Month Warranty



For Axis-TIC

DESCRIPTION

The AXIS-ARM accessory for mounting 1 or 2 Axis-Tic fixtures.

All aluminum construction with electrochemical primer protection and powdercoat finish

Engineered specifically for Axis-TIC or other bullet fixture with 1/2" NPS mount

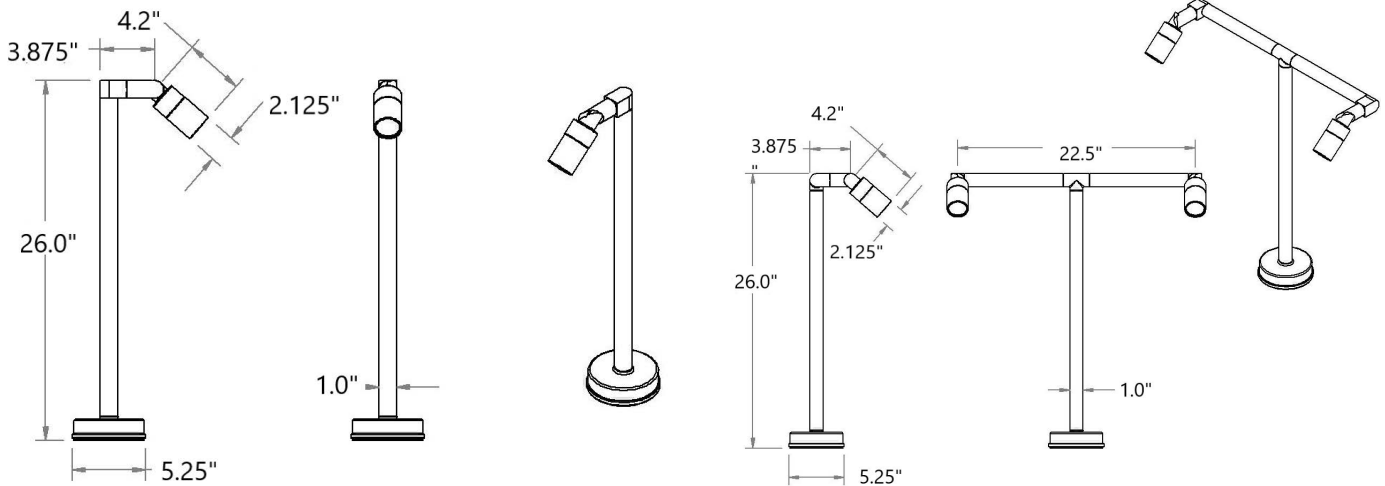
May be ordered for single or double fixture mount

Most RAL colors no extra charge

SPECIFICATIONS

Material	6061-T6 Aluminum
Fasteners	Stainless steel hardware
Standard Mounting	Standard 4"0 or SG
Operating Temperature	-31F to 122F (-35C to 50C)

DIMENSIONS



SINGLE

DOUBLE

Ordering Guide

