

**Extremely Flexible,
perfect for tight
radius applications**

**Well suited for both
Interior and Exterior
applications**

Dimmable

Low Profile

**Available in
custom lengths**

Low Voltage

24 Month Warranty



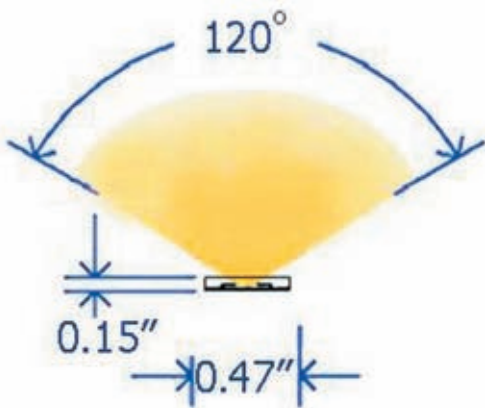
Description

The LED Company's FLX300 is a low profile, dimmable flexible product well suited for interior and exterior lighting applications.

The FLX300 is made in custom lengths to 20 ft. The 120 degree beam of the LEDs produce an even blended light for any application. The FLX300 is extremely flexible and perfect in tight radius applications such as Stairs, Coves, Cabinets, Bookcases, Under Counter, Toe Kick, Edge and Back lighting.

A flexible LED array in a clear, flexible silicone D-Channel extrusion.

Standard wiring, 18-2 SPT-1 low voltage cable.



FLX300 LED FLEXIBLE ARRAY

Applications

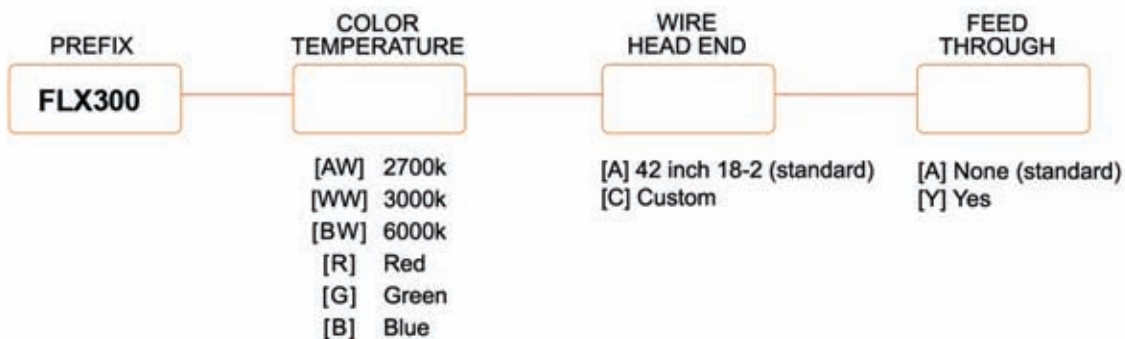


Specifications

Input Voltage	12 VDC
LED Spacing	.65 inch on center
Current Draw	1.5 W per ft.
D Channel Tube	.475" W x .15" H Clear Flexible Silicone
Length	2 inch increments to 20 feet
IP Rating	IP65
Lamp Life	30,000 Hour Rating
Wiring	Wired per application
Color Temperature	Antique White - 27000k Warm White - 3000k Bright White - 6000k
Listing	ETL



Ordering Options



THE LED COMPANY

160 McCormick Ave, Costa Mesa, CA 92626

Phone: 714.862.2920
 Fax: 714.492.1008
 Email: sales@ledcohome.com
 Web: www.ledcohome.com