

Indoor/Outdoor Wet Location Enclosure

Auto Shut Down & Reset Overload Protection

Reliable Power Source for LED Lighting Applications

Magnetic Dimmer Ready

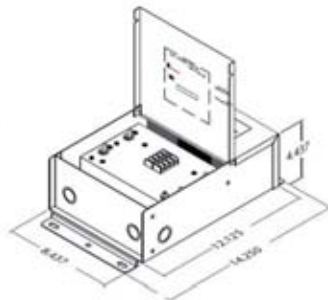
36 Month Limited Warranty



Driver Information

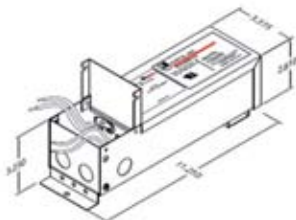
Multi Output Series

Height: 14.25 inches
 Depth: 4.437 inches
 Width: 8.437 inches
 Weight: 40 lbs



Single Output Series

Height: 11.25 inches
 Depth: 3.25 inches
 Width: 3.37 inches
 Weight: 7.0 lbs



All Drivers available with 120VAC or 277VAC Input options and 12VDC or 24VDC Output options.

Approvals UL1310 Listed, Class2 Power Supplies, UL1310, UL48 Recognized Sign Accessories

Multi Output: C2240 Series - 12/24 VDC Outputs

Single Output: 961 Series - 24VDC
 601 Series - 12VDC
 481 Series - 24VDC
 361 Series - 12VDC



DIMMABLE LED DRIVERS

UL LISTED/RECOGNIZED CLASS 2

Model Specifications

MODEL	INPUT VAC	INPUT AMPS	HZ	OUTPUT VAC	OUTPUT INFO
12 VOLT OUTPUT					
CC2240-12DCR	120	2.2	50 / 60	12	4 / 60 WATTS
CC2240-12DCR-277	277	0.87	50 / 60	12	4 / 60 WATTS
601-12DCR	120	0.81	50 / 60	12	1 / 60 WATTS
603-12DCR-277	277	0.38	50 / 60	12	1 / 60 WATTS
361-12DCR	120	0.58	50 / 60	12	1 / 36 WATTS
363-12DCR-277	277	0.24	50 / 60	12	1 / 36 WATTS
24 VOLT OUTPUT					
CC2240-24DCR	120	2.5	50 / 60	24	3 / 96 WATTS
CC2240-24DCR-277	277	1.04	50 / 60	24	3 / 96 WATTS
961-24DCR	120	1.12	50 / 60	24	1 / 96 WATTS
963-24DCR-277	277	0.5	50 / 60	24	1 / 96 WATTS
481-24DCR	120	0.63	50 / 60	24	1 / 48 WATTS
483-24DCR-277	277	0.28	50 / 60	24	1 / 48 WATTS
120 VAC AND 277 VAC INPUT OPTIONS 12 VDC AND 24 VDC OUTPUT OPTIONS					

Ordering Options

MODEL NUMBER		NUMBER OF UNITS
<input type="text"/>	Multiple Circuit	<input type="text"/>
<input type="text"/>	Single Circuit	<input type="text"/>
<input type="text"/>	Single Circuit	<input type="text"/>
Total Units		<input type="text"/>



Rev. 10/12

160 McCormick Ave, Costa Mesa, CA 92626

Phone: 714.862.2920
 Fax: 714.492.1008
 Email: sales@ledcohome.com
 Web: www.ledcohome.com

Manufactured in the USA