

The AXIS-TIC LED

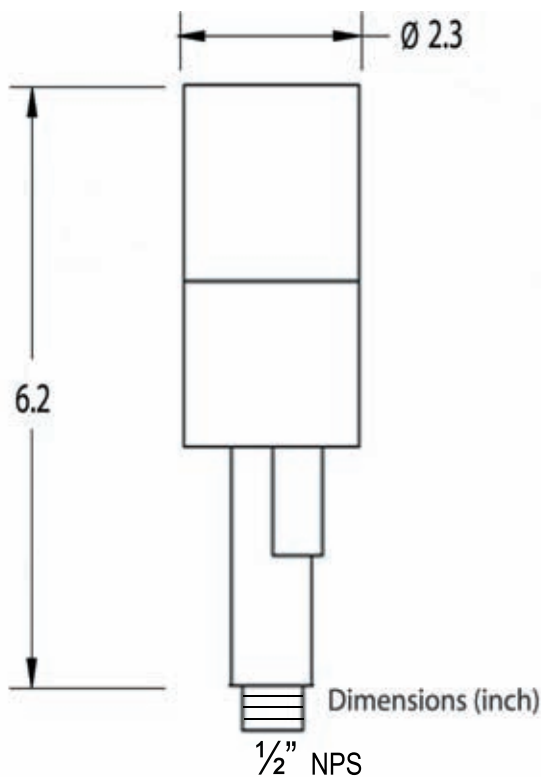
APPLICATIONS:
Landscape
Tree
Path Lighting
Sign Illumination
Architectural
Wall Wash
& Accent

Eco-friendly

Multiple Beam
Spread Options

Low Voltage

61 Month Warranty



Description

The AXIS-TIC LED Spotlight is a compact, low energy fixture that blends into any landscape application.

LED technology delivers a reliable, low maintenance, high performance and energy efficient lighting choice.

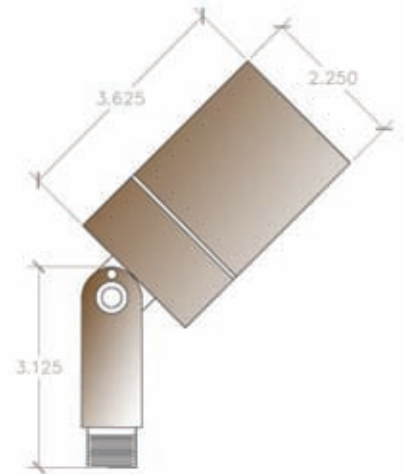
Engineered specifically for LED technology, the design of the AXIS-TIC provides critical thermal transfer and heat removal.

Other features include anti-wicking power lead, tool-free optic interchange and service upgrade capability.

AXIS-TIC LED SPOTLIGHT

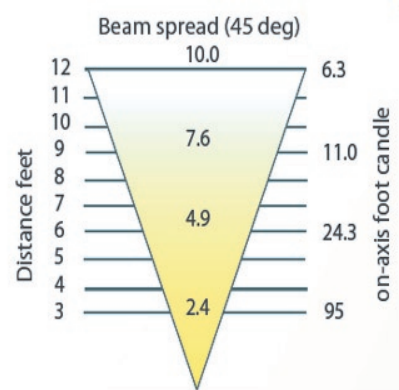
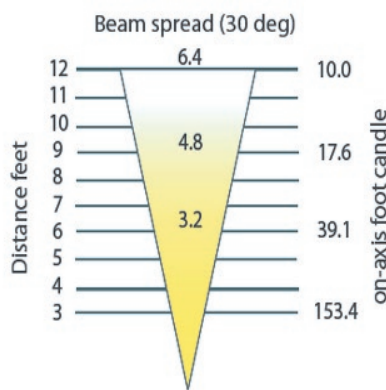
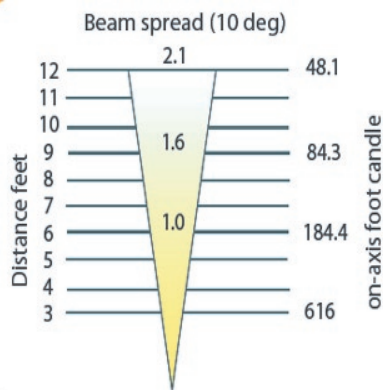
Specifications

Light Source	High-brightness LED (light emitting diode)
LED Life (L70)	50,000 hours average*
Input Voltage	11 - 15 VAC/VDC
Power Consumption	10 Watts
Color Temperature	3000 or 4000k
CRI	80 Typical
Optic	Interchangeable TIR Lens
Material	6061-T6 Aluminum
Fasteners	Stainless steel hardware
Standard Mounting	PVC Post and ABS Cap
Operating Temperature	-31F to 122F (-35C to 50C)
Listings	ETL listed to UL Standards 1838 and 8750 CSA C22.2 No. 250.7-07



*LED life is defined as the time to 70% lumen maintenance (L70)

Brightness



Ordering Guide

PREFIX	COLOR TEMPERATURE	OPTIC	LENS/FILTER	MATERIAL	FINISH
AXIS-TIC					
	[WW] 3000K [CW] 4000K	[N] Narrow 10° [M] Medium 30° [W] Wide 45°	[C] Clear [S] Soft Focus Lens [H] Hexcell	[AL] Aluminum [BR] Brass [CU] Copper	[N] Natural [BK] Powder Coat Black [GR] Powder Coat Green [BN] Powder Coat Brown [C] Custom - Please call for custom finishes



160 McCormick Ave, Costa Mesa, CA 92626

Phone: 714.862.2920
 Fax: 714.492.1008
 Email: sales@ledcohome.com
 Web: www.ledcohome.com

Manufactured in the USA